

PLEASE READ THE INSTRUCTIONS BEFORE OPERATING THIS PRODUCT

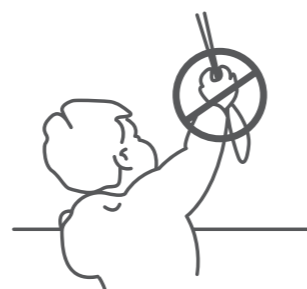


**WARNING**

Young children can be strangled by loops in pull cords, chains, tapes and inner cords that operate the product.

To avoid strangulation and entanglement, keep cords out of the reach of young children. Cords may become wrapped around a child's neck. Move beds, cots and furniture away from window covering cords.

Do not tie cords together. Make sure cords do not twist and create a loop.

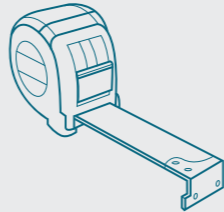




**CLEAR SHADE**  
HYGIENE SCREEN

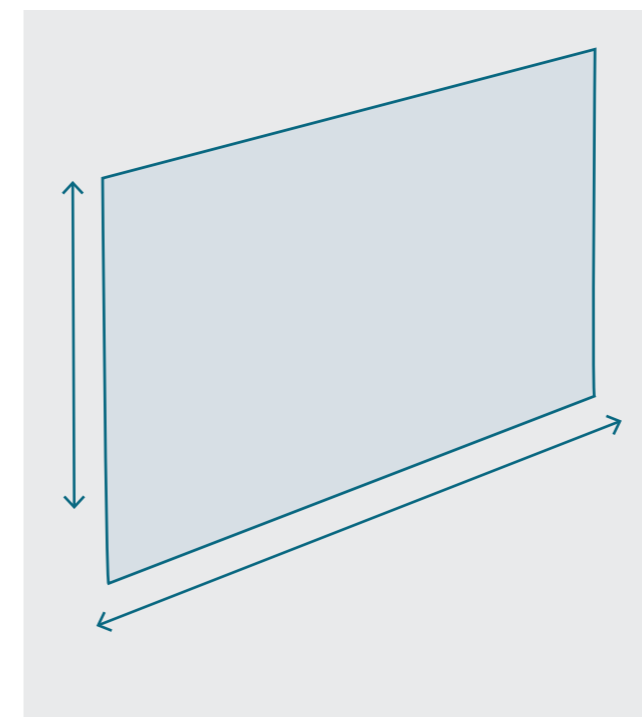
## MEASURING GUIDE

To measure for the hygiene screen you need:

### TOOLS REQUIRED

Measuring Tape	Notepad	Pencil
		
Follow the instructions and remember to double check your measurements as you go along.		

## MEASURING



When measuring for the Clear Shade Hygiene Screen measurements will be based on the size of the fabric including the top and bottom bar as blindsize. The two fixture wires included can be adjusted to height that is required.

Minimum Width	<b>200mm</b>
Max Width	<b>1290mm</b>
Minimum Height	<b>200mm</b>
Max Height	<b>2000mm</b>