

PLEASE READ THE INSTRUCTIONS BEFORE OPERATING THIS PRODUCT

## Operation Instructions

### Operating your blind

TO RAISE & LOWER THE BLIND  
Simply raise and lower the blind to the desired position by firmly holding the handle.

### Maintenance

The product is maintenance free however we recommend that regular visual checks are completed to ensure that no components have been damaged, which could result in operating difficulties and/or cause a safety risk.

If any maintenance is required we recommend that the work is carried out immediately, by a reputable blind company.



**make it safe**<sup>TM</sup>

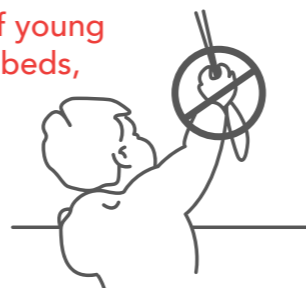
**BBSA**<sup>®</sup>  
BRITISH BLIND & SHUTTER ASSOCIATION

## WARNING

Young children can be strangled by loops in pull cords, chains, tapes and inner cords that operate the product.

To avoid strangulation and entanglement, keep cords out of reach of young children. Cords may become wrapped around a child's neck. Move beds, cots and furniture away from window covering cords.

Do not tie cords together. Make sure cords do not twist and create a loop.



# Clip & Fit

FITTING INSTRUCTIONS

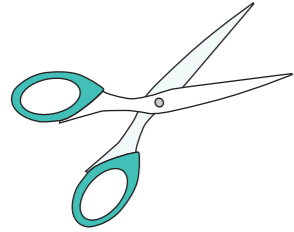
**swift**  
directblinds

## You Should Have

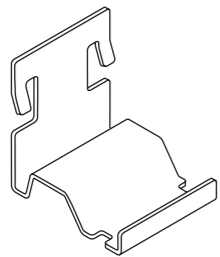
### Click & Fit Item List

#### Tools Required:

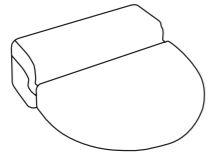
Scissors



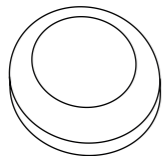
Beading Bracket x4 (1)



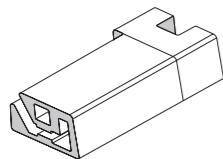
Handle x2



Scilicone Pad x4



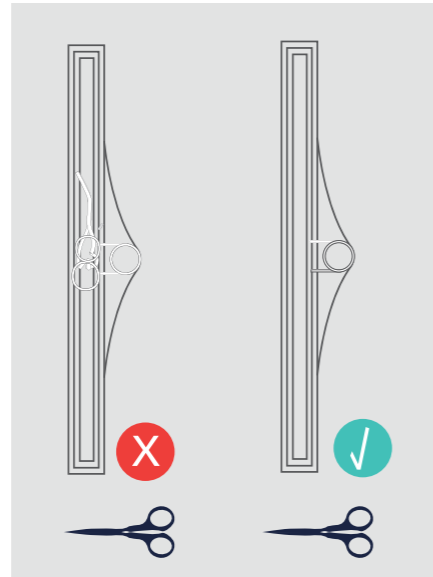
Cord Block x4



**THE INSTALLATION OF THIS PRODUCT SHOULD BE CONDUCTED BY SOMEONE COMPETENT IN DIY**

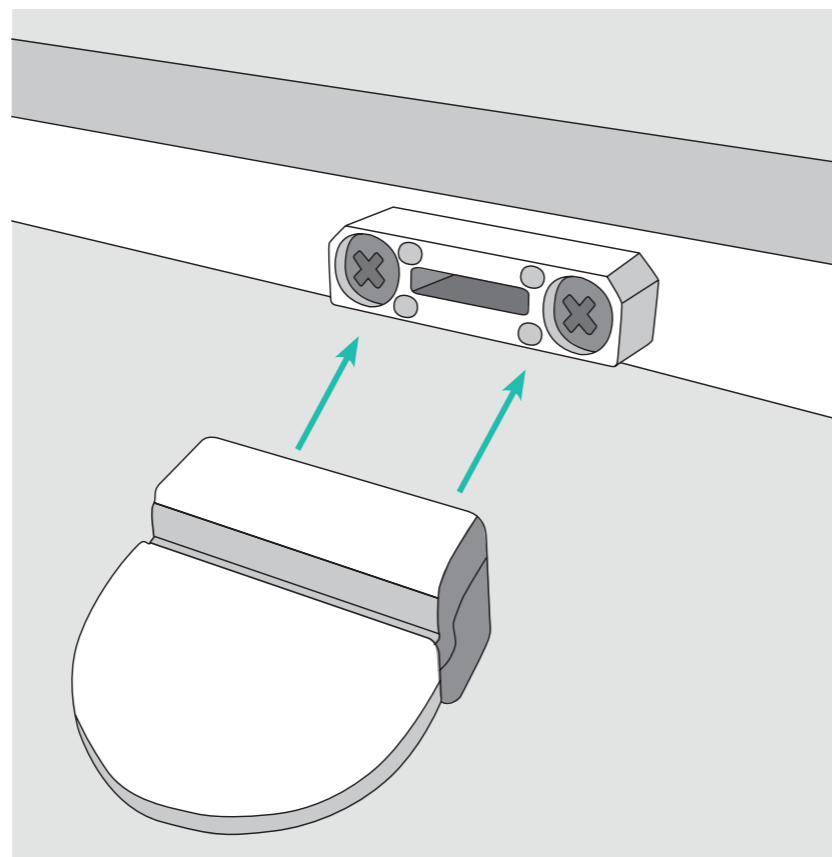
## Unpacking the Blind

IF USING SCISSORS OR A KNIFE, TAKE CARE WHEN OPENING THE BLIND TO ENSURE THE CORDS ARE NOT CUT.



HANDLE TO RAISE AND LOWER THE BLIND ON TENSIONED TOP DOWN/BOTTOM UP.

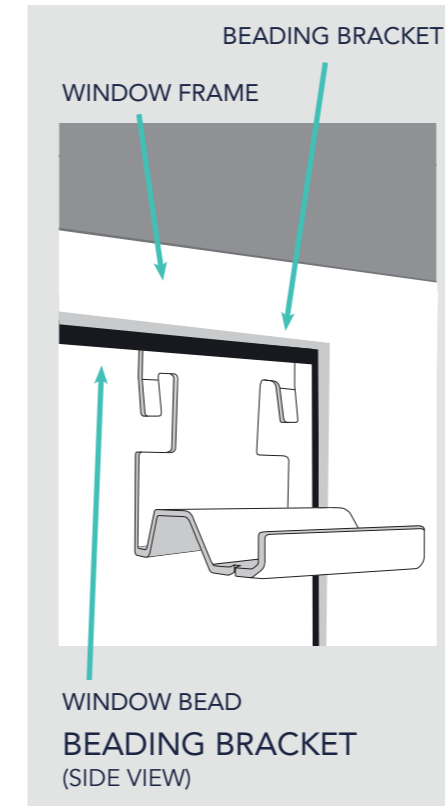
ON ALL BLINDS OVER 1200MM TWO HANDLES WILL BE SUPPLIED.



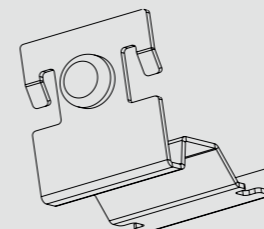
## Fitting the Blind

### Step 1

Remove beading brackets (1) and place one into each of the four corners of the window. NOTE: The beading bracket fits under the window bead sitting flush to the glass. If the window bead is stiff, apply a small amount of washing-up liquid to ease installation.

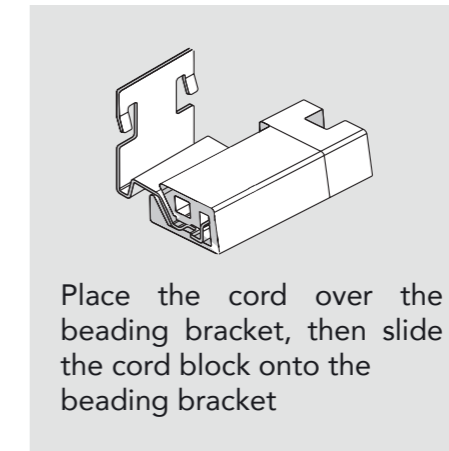
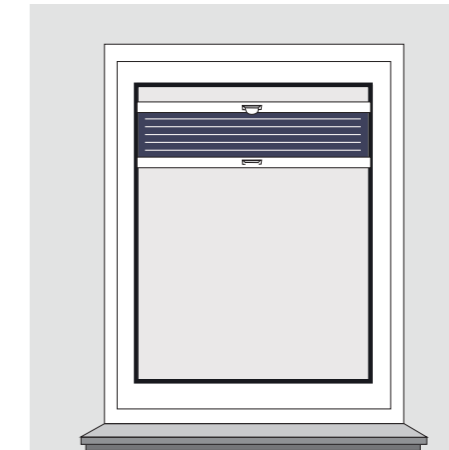
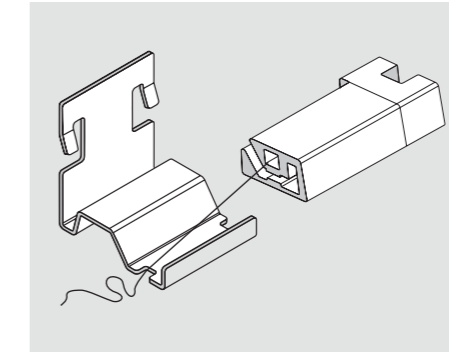


For larger blind sizes it is advised that a small adhesive silicone pad be attached to the Beading Bracket (1) before insertion into the window bead. These pads will be supplied with all blinds. If required place pad on the back of the beading bracket as shown below and insert into the window bead as directed above.



### Step 2

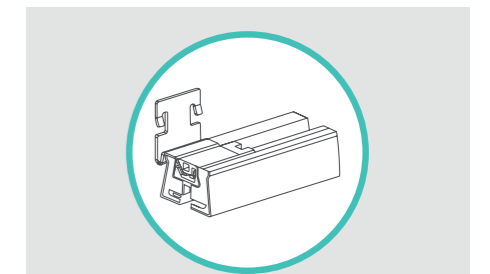
Remove the Cord Block (2) from the blind headrail and place over the Beading Brackets (1), on all four corners of the window.



Place the cord over the beading bracket, then slide the cord block onto the beading bracket

### Step 3

Click the blind headrail onto the Cord Block (2) at the top and bottom of the window. The blind is now successfully installed and ready to operate.



When the blind is fitted the tension of the blind should be correct for your window size. You can adjust the tension if your blind becomes loose, starts slipping down or stiff to operate.

To do this remove the Cord Blocks (2) from the Beading Brackets (1). It is advised to do this on the bottom two cord blocks only. There will be a triple knot holding the blind cord in place within the cord block. Untie these knots and pull the cord tight to the desired tension. Retie the knots (ensure triple knot) and place Cord Blocks (2) back onto the Beading Brackets (1). The blind is now ready to be used.